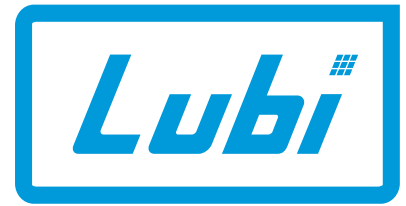


**MXF SERIES**

**Horizontal Single-stage Centrifugal Pumps  
50 Hz**



**PUMPS • MOTORS**  
ISO 9001 Company



**Pumping Solution**

## INTRODUCTION

The Lubi MXF pumps are non-self priming, horizontal, single-stage, centrifugal pumps.

Motor and pump are close coupled in a convenient and compact design for quick installation in limited space.

These pumps are available from 0.37 to 1.50 kW for single phase as well as three phase power supply.

The pumps have axial suction port and radial discharge port.

Pump casing and impellers are made of stainless steel AISI 304. Motor shaft is made of carbon steel and pump shaft is made of stainless steel.

The pump is fitted with a maintenance-free, mechanical shaft seal.

## APPLICATIONS

These pumps are suitable for liquids which are thin, clean, slightly aggressive, non-explosive, not containing solid particles or fibers.

- Domestic water supply systems
- Civil & industrial water supply systems
- Sprinkler systems
- Irrigation
- Gardens, farms.

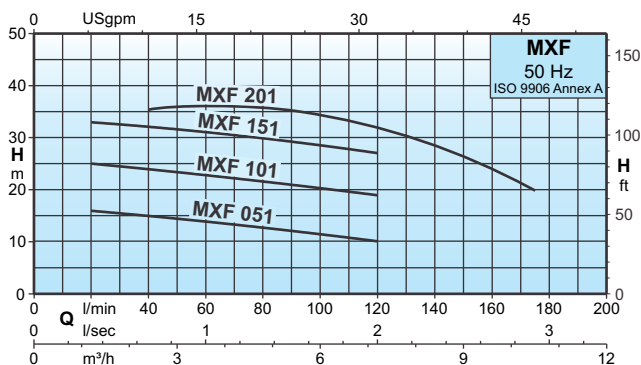
## OPERATING CONDITIONS

Flow range : Up to 10.5 m<sup>3</sup>/h  
 Head range : Up to 36 metres  
 Ambient temperature : Max. +50°C  
 Liquid temperature range: 0°C to +90°C  
 Total suction lift : Up to 7.5 metres

## MOTOR

Motor type : TEFC 2-pole motor  
 Ratings : 1 phase - 0.37 to 1.50 kW  
           : 3 phase - 0.37 to 1.50 kW  
 Rated speed : 2900 rpm  
 Enclosure class : IP 44  
 Insulation class : F  
 Nominal voltage : 1 phase 230 V  
                   : (Tolerance +5% / -15%) 3 phase 415 V  
 Supply frequency : 50 Hz  
 Duty / Rating : S1 / Continuous  
 Direction of rotation : Clockwise as seen from the motor rear end

## PERFORMANCE CURVES & PERFORMANCE DATA



PUMP TYPE	MOTOR POWER		Q m <sup>3</sup> /h	1.2	2.4	3.6	4.8	6	7.2	8.4	9.6
	kW	HP		20	40	60	80	100	120	140	160
MXF 051	0.37	0.50	H m	16	15	13.5	13	11.5	10		
MXF 101	0.75	1.00		25	24	22.5	22	20	19		
MXF 151	1.10	1.50		33	32	31	30	28.5	27		
MXF 201	1.50	2.00		36	37	36	33	32	28	23	

## SECTIONAL DRAWING & MATERIALS

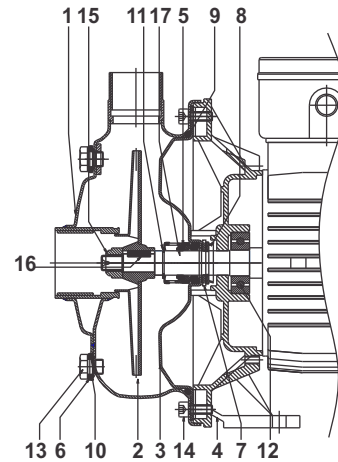
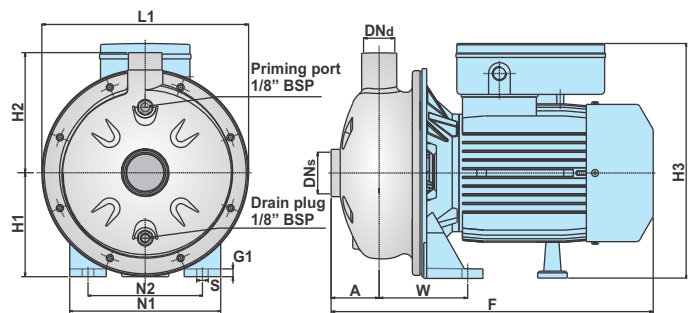


FIG.1 SECTIONAL DRAWING OF MXF PUMP

POS.	COMPONENT	MATERIAL
1	Pump casing	Stainless steel AISI 304
2	Impeller	Stainless steel AISI 304
3	Pump casing cover	Stainless steel AISI 304
4	Adaptor	Aluminium/Cast iron
5	Mechanical shaft seal	Carbon/Ceramic/NBR
6	"O" ring cover washer	Stainless steel AISI 410
7	Water thrower	NBR
8	"V" seal	NBR
9	"O" ring for volute	NBR
10	Plug "O" ring	NBR
11	External circlip	Stainless steel AISI 304
12	Bearing	-
13	1/8" Plug	Stainless steel AISI 410
14	Socket head cap screw	Stainless steel
15	Self lock nut	Stainless steel AISI 410
16	Key	Stainless steel AISI 410
17	Shaft	Pump - Stainless steel AISI 304 Motor - Carbon steel

## DIMENSIONS & WEIGHT



PUMP TYPE	kW	HP	FRAME SIZE	DN <sub>s</sub> [BSP]	DN <sub>d</sub> [BSP]	DIMENSIONS [mm]										GROSS WEIGHT [kg]	GROSS VOLUME [m <sup>3</sup> ]	
						F	H1	H2	H3	A	W	N1	N2	L1	G1			S
MXF 051	0.37	0.50	71	1/2"	1"	335	108	125	239	53	95	157	119	237	8	9	10.5	0.0310
MXF 101	0.75	1.00	71	1/2"	1"	335	108	125	239	53	95	157	119	237	8	9	12.0	0.0310
MXF 151	1.10	1.50	80	1/2"	1"	365	122	137	268	52	95	186	148	237	12	11	21.0	0.0530
MXF 201	1.50	2.00	80	1/2"	1"	365	122	137	268	52	95	186	148	237	12	11	21.5	0.0530

Note: All dimensions in mm unless otherwise noted.

# NAYAN CORPORATION

8, Near sindh petrol pump, opp. fruit market, vijay mill, Naroda Road, Ahmedabad. Gujarat 380 025. INDIA.

Tel.: # 91-79 - 22201731, +917405 731 731 Fax : # 91-79 - 22200717.

Sales Enquiries: [nayanco@yahoo.com](mailto:nayanco@yahoo.com) [www.nayancorporation.com](http://www.nayancorporation.com)