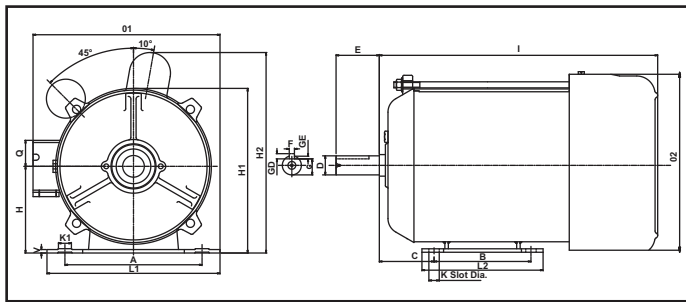


• SINGLE PHASE INDUCTION MOTOR

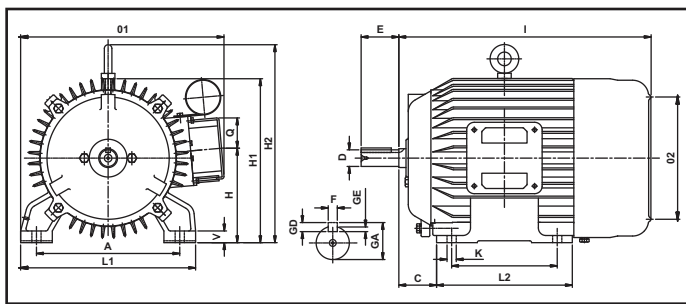


DIMENSION

FOOT-MOUNTED MOTOR : INDIAN STANDARD

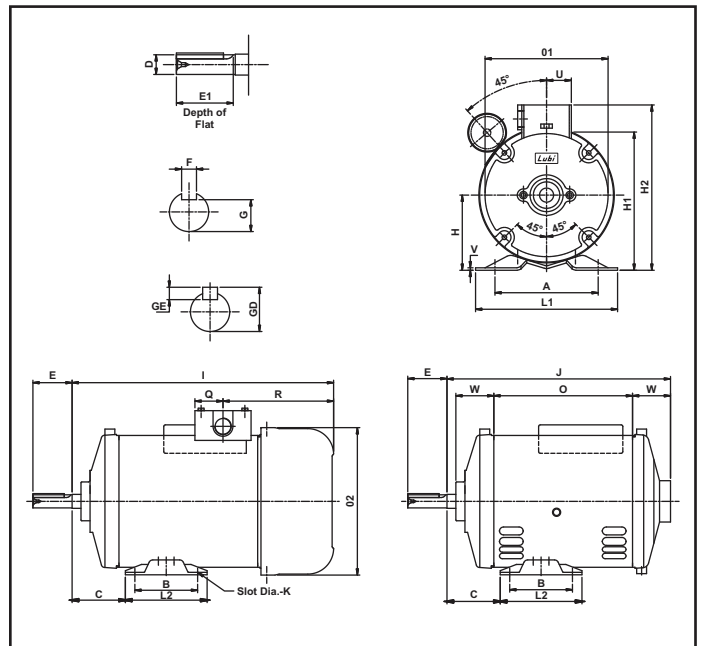


HP/KW	ENCL	R.P.M	FRAME SIZE	A	B	C	D	E	F	GA	GD	GE	H	H1	H2	I	K	K1	L1	L2	O1	O2	Q	V
1.5/1.1	TEFC	1440	100S	160	112	63	22	50	6	24.5	6	3.5	100	190	232	322	12	16	200	140	216	211	30	4
2.0/1.5	TEFC	1440	100S	160	112	63	22	50	6	24.5	6	3.5	100	190	232	322	12	16	200	140	216	211	30	4



HP/KW	ENCL	R.P.M	FRAME SIZE	A	B	C	D	E	F	GA	GD	GE	H	H1	H2	I	K	L1	L2	O1	O2	Q	V
1.0(90L)/0.75	TEFC	1440	90L	140	125	56	24	50	8	27	4	7	90	178	-	284	10	172	158	233	178	43	12
1.5/1.1	TEFC	1440	112M	160	125	63	22	50	6	24.5	3.5	6	100	196	243	328	12	195	170	256	193	48	14
2.0/1.5	TEFC	1440	112M	190	125	70	22	50	6	24.5	3.5	6	112	218	265	335	12	232	180	270	211	41	16
3.0/2.2	TEFC	1440	112M	190	140	70	22	50	6	24.5	3.5	6	112	218	265	335	12	232	180	292	211	101	16

FOOT-MOUNTED B56 MOTOR : BRITISH STANDARD



HP/KW	ENCL	A	B	C	D	E	E1	F	G	H	H1	H2	I	J	K	K1	L1	L2	O	O1	O2	Q	R	U	V	W
0.25/0.18	TEFC SPDP	125.1	76.6	66	15.875	47.5	36.5	4.8	12.65	90	170	207	256	-	8.4	31.6	172	100	129	162	180	38	129	41	3.2	42
0.50/0.37	TEFC SPDP	125.1	76.6	66	15.875	49.5	36.5	4.8	12.65	90	170	207	278	-	8.4	31.6	172	100	150	162	180	38	129	41	3.2	42
1.0/0.75	TEFC SPDP	125.1	76.6	66	15.875	49.6	36.5	4.8	12.65	90	170	207	302	-	8.4	31.6	172	100	175.5	162	180	38	129	41	3.2	42

Note : Motor Frame in Flange mounted construction is also available, Please contract factory for further details.

PERFORMANCE

CONST.	H.P.	OUTPUT WATT	FRAME	RATED SPEED	FULL LOAD CURRENT	POWER FACTOR	EFF. %	STARTING TORQUE	BEARING		ENCL.
									DE	NDE	
SM	0.25	180	B 56	1460	2.2	0.55	64 %	260 %	6203	6203Z	SP/TEFC
SM	0.50	370	B 56	1440	4.2	0.65	59 %	350 %	6203	6203Z	SP/TEFC
SM	1.00	750	B 56	1445	7.1	0.70	63 %	280 %	6203	6203Z	SP/TEFC
CI	1.00	750	90 L	1455	7.1	0.57	64 %	285 %	6205Z	6203Z	TEFC
SM	1.50	1100	100 S	1455	6.8	0.92	82 %	250 %	6205	6304	TEFC
CI	1.50	1100	112 M	1455	9.0	0.62	72 %	285 %	6205	6304	TEFC
SM	2.00	1500	100 S	1455	12.0	0.95	84 %	250 %	6205	6304	TEFC
CI	2.00	1500	112 M	1455	12.0	0.72	75 %	300 %	6205	6304	TEFC
CI	2.00 HD	1500	112 L	1455	13.5	0.70	73 %	250 %	6306	6304	TEFC
CI	3.00	2200	112 M	1455	13.5	0.87	78 %	275 %	6205	6304	TEFC

*SP-SCREEN PROTECTED DRIP PROOF

*TEFC-TOTALLY ENCLOSED FAN COOLED

* HD-HEAVY DUTY

APPLICATION

- + Atta Chakki
- + Wet Rice Grinder
- + Light Duty Machine Tools such as Buffing, Polishing and Drilling Machines
- + Industrial Sewing Machines
- + Commercial Juicers
- + Diamond, Stone, Cutters & Polishers
- + Floor Polishing Machine etc.

Lubi reserve the right to modify the given designs of technical specification and dimensions of the products shown in this catalogue.